

# Rambo®

## CAST IRON RING BURNER WITH AUTOMATIC IGNITION

### Installation & Operating Instructions



RBC176LP



RBC225LP

### FOR OUTDOOR USE ONLY

Important: DO NOT USE IN MARINE CRAFT, CARAVAN OR MOBILE HOMES.

This appliance should be installed in accordance with the following:  
Manufacturer's installation instructions;  
Local gas fitting regulations;  
Municipal building codes;  
AS 5601 code for gas installations and;  
Any other relevant statutory regulation.  
This appliance must be installed, serviced and removed only by an authorised person.

#### **Auscrown Pty Ltd**

18 / 634 Mitcham Road VERMONT VIC 3133 AUSTRALIA

Fax: (03) 98735311 Email: [info@auscrown.com](mailto:info@auscrown.com) Web: [WWW.AUSCROWN.COM](http://WWW.AUSCROWN.COM)



## **IMPORTANT**

- Important. Read these instructions for use carefully. Familiarise yourself with the appliance before connecting it to its gas container. Keep these instructions for future reference.
- These cookers are portable appliances suitable for outdoor use only, they are not suitable for installation
- Do not use this appliance if it is leaking, damaged or does not operate properly.
- It is the operator's responsibility to check the appliance is properly assembled and maintained
- Do not lay the gas cylinder down – cylinder should be stored / used in the upright position
- Hazardous fire or explosion may result if instructions are ignored.
- Leak test all connections before use and after each cylinder refill
- Never check for leaks with a match or open flame
- Do not store or use petroleum products or other flammable vapours and liquids in the vicinity of this appliance
- **USE ONLY IN WELL-VENTILATED AREAS**, but not facing against any draught.
- **WARNING! CARBON MONOXIDE HAZARD-THIS APPLIANCE CAN PRODUCE CARBON MONOXIDE WHICH HAS NO ODOUR. USING IT IN AN ENCLOSED SPACE (FOR EXAMPLE, CARAVAN, TENT, CAR, MOBILE HOME) MAY CAUSE DEATH.**
- Do not move the appliance during operation
- Avoid twisting or kinking of the flexible gas hose
- Do not use cooker near any air opening(s) into buildings (i.e. windows, doorways, ventilation ducts etc.)
- Any enclosure in which the appliance is used shall comply with the diagrammatical representations of outdoor areas displayed on pages 4 and 5 of this manual
- Leak test all connections before use and after each cylinder refill – refer "How to Check for Gas Leaks" in this manual. NEVER check for leaks with a match or open flame.
- An LP cylinder not connected for use with this appliance should not be stored near this appliance.
- This cooker is suitable for use with propane gas (LP) only (regulated gas pressure 2.75 kPa).
- Ensure the gas hose is not placed under the appliance or allowed to contact any hot surfaces of the appliance
- This appliance must not be modified or changed in any way.
- Disconnect the gas cylinder from the appliance prior to storage. It is also recommended that the gas cylinder be stored outdoors in a well-ventilated area.
- Do not use any other gas type except the one specified on the label/data plate.
- Use only the gas regulator specified in this instructions page or advised by your dealer. An inferior or a damaged regulator could cause an incomplete combustion or other troubles with the burner.
- Do not leave the burner unattended when in use. Always turn off the burner and the main gas valve after each use.
- Do not use the burner as a space heater under any circumstance.
- Do not cover or blow off the flames. This could cause gas leaking.
- Always keep inflammable materials away from the burner.
- Make sure that you use cooking woks, pots or pans that sit firmly on the trivet. Do not use pots that are too small / large for the burner size, as they could be unstable on the trivet. The maximum diameter pots for model RBC225LP is 40 cm and 35 cm for model RBC176LP.
- If abnormal combustion is observed when in use, turn off the main gas valve and examine the burner (Refer to Trouble-Shooting Guide).
- Do not spray aerosols in the vicinity of the burner when in use.
- Do not attempt to repair the burner yourself.

## **HOW TO CHECK FOR GAS LEAKS**

- To check for leaks, open the gas supply at the bottle with the appliance gas valves in the OFF position (DO NOT SWITCH APPLIANCE ON) and check for leakage by brushing a solution of soapy detergent and water onto the connection points at the bottle and the appliance. If bubbling is evident (it may take more than 30 seconds to appear) this indicates a gas leak is

present. If disassembling, cleaning, reassembling and tightening the connection does not rectify the leak you should close the gas cylinder valve and consult the place of purchase for assistance.

- Turn on the gas and check for gas leakage at all joints with soapy water or other approved methods.

### **PROCEDURES FOR GAS LEAKAGE**

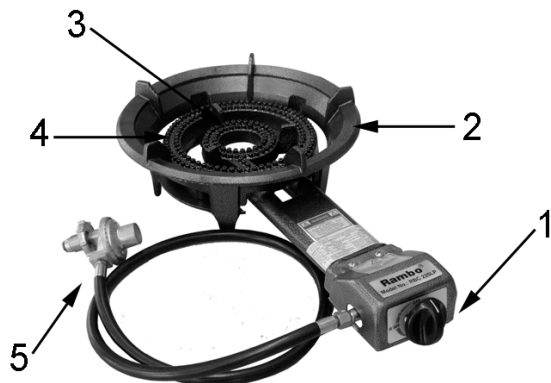
The strong and distinctive odour of gas may make you aware of a gas leak. If you suspect a gas leak:

1. Immediately turn off the gas supply at the gas bottle;
2. Turn off all appliances and pilot lights;
3. Do not allow gas to build up in the area.
4. Do not use any naked flame or other ignition source (such as light switches, power points, mobile phones and pagers);
5. Do not operate any electrical equipment in the vicinity of a gas leak;
6. Contact your licensed gas fitter to repair the leak and re-light the appliance.

**NEVER attempt to repair the appliance yourself.**

**IT MUST BE SERVICED AND REPAIRED BY A LICENSED PLUMBER OR GAS FITTER**

### **PART INDEX**



#### Parts Name

1. Control knob
2. Bowl
3. Inner ring burner
4. Outer ring burner
5. Gas regulator and hose

### **PREPARE TO ASSEMBLE THE APPLIANCE**

Check for damage on the appliance. If damage occurs, please contact Austcrown or your dealer. Do not use a damaged appliance.

**WARNING! It may hazardous to attempt to use a damaged appliance.**

#### **Positioning the Appliance**

Only use the appliance in well ventilated areas. The appliance must be sited with at least a 500 mm gap between both sides and the rear of the appliance and at least 1 m from the trivet of the appliance and any combustible or non-combustible materials above the appliance.

When the burner is assembled abutting a side or rear wall, the wall must be of non-combustible material, e.g. ceramic tiles. If surrounding walls are constructed with a combustible material, contact your local Gas Authority for information on clearances required.

The appliance must be used on a level, stable, non-flammable surface when in use. If used on the ground in an area with long grass ensure that the grass is not long enough to enter under the appliance or at the sides as this could result in the grass catching fire and starting a more serious fire.

It is important that the ventilation openings of the appliance are not obstructed.

The appliance should be protected from direct draughts and be positioned or protected against direct penetration by any trickling water (e.g. rain).

**CLEARANCE:** The appliance must be sited with at least a 1000 mm gap between both sides and the rear of the appliance and at least 2700 mm from the trivet of the appliance and any combustible or non-combustible materials above the appliance.

When the burner is assembled abutting a side or rear wall, the wall must be of non-combustible material, e.g. ceramic tiles. If surrounding walls are constructed with a combustible material, contact your local Gas Authority for information on clearances required.

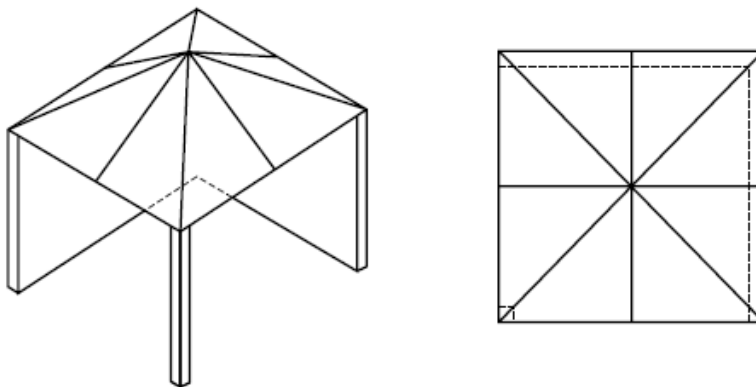
The appliance must be used on a level, stable, non-flammable surface when in use. If used on the ground in an area with long grass ensure that the grass is not long enough to enter under the appliance or at the sides as this could result in the grass catching fire and starting a more serious fire.

It is important that the ventilation openings of the appliance are not obstructed. The appliance should be protected from direct draughts.

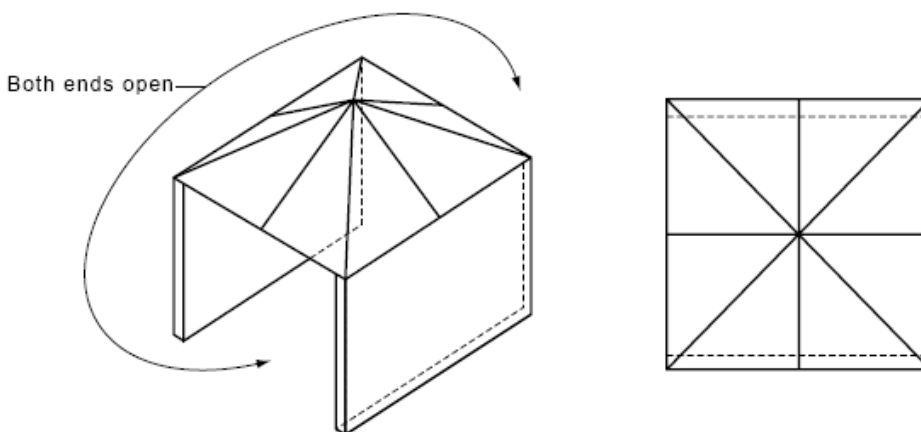
The appliance should not be positioned or protected against direct penetration by any trickling water (e.g. rain).

If the appliance is install at outdoor, a proper shelter with well ventilation should be use to protect the appliance from draughts and rain. Some examples of shelter are shown below,

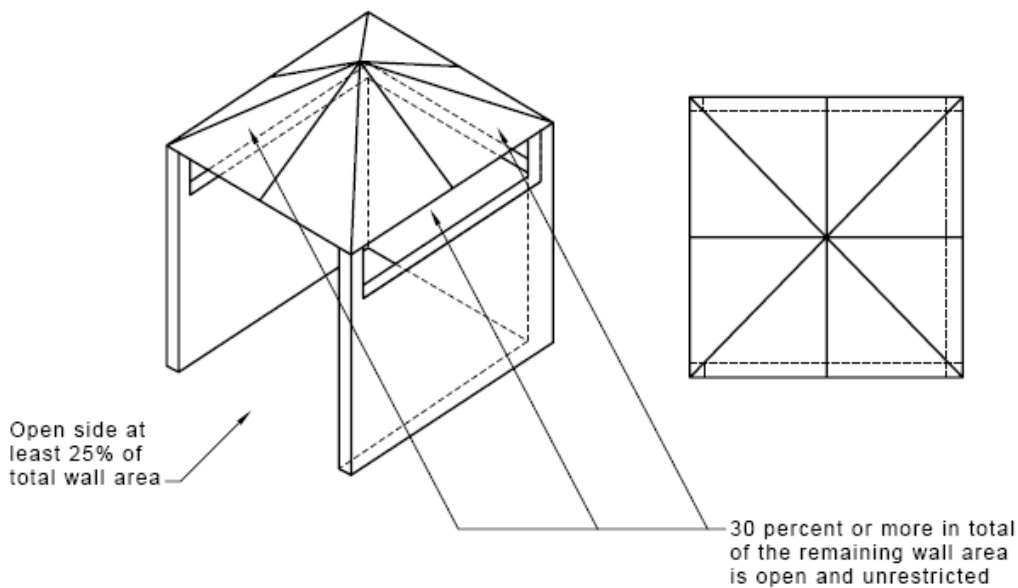
**IMPORTANT:** The dimension and building materials of the shelter must be meet the requirements mentioned above, or contact your gas filter / local Gas Authority for information on clearances and material required



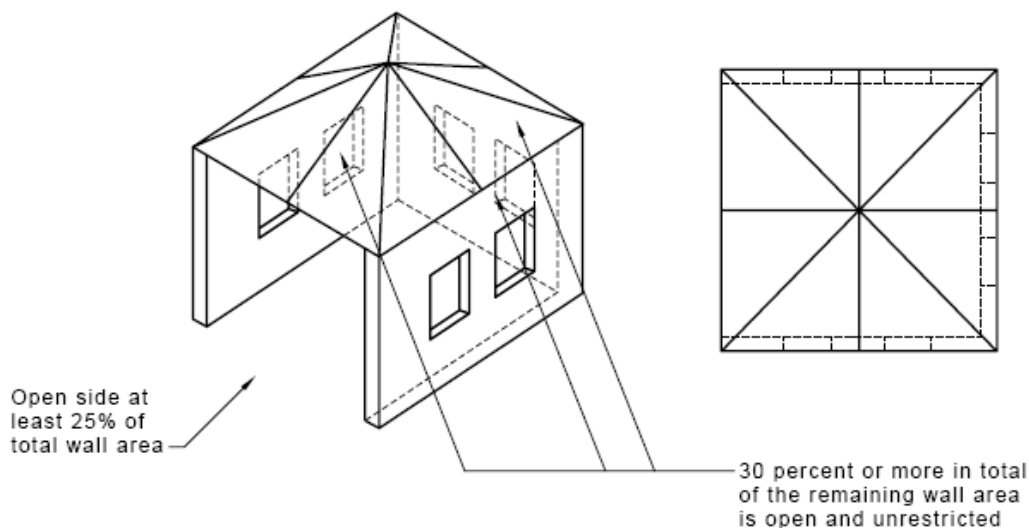
EXAMPLE 1



EXAMPLE 2



EXAMPLE 3



EXAMPLE 4

### Gas Type and Gas Pressure

This appliance is only suitable for use with propane gas (LP) only and is set to operate under gas pressure of 2.75kPa.

**WARNING! It may hazardous to attempt to fit other types of gas containers.**

### Gas Cylinder

Only cylinders which comply with AS2030.1 should be used. The appliance is suitable for use with gas cylinders of 3.9 kg to 9 kg gas capacity.

The gas cylinder should not be dropped or handled roughly! If the stove is not in use, the cylinder must be disconnected. Replace the protective cap on the cylinder after disconnecting the cylinder from the appliance.

**WARNING! It may hazardous to use damaged or dented gas cylinder.**

Cylinders must be stored outdoors in an upright position and out of the reach of children. The cylinder must never be stored under direct sunlight or where temperatures can reach over 50°C. Do not store the cylinder near flames, pilot lights or other sources of ignition. **DO NOT SMOKE** around the cylinders. Any indoor storage shall comply with AS/NZS 1596.

**WARNING! It may hazardous to store gas cylinder in an enclosed place.**

Cylinders shall be changed in a well-ventilated location, outside away from people and any sources of ignition, such as naked flames, pilot flames, electric heaters/equipment.

**Hose**

Use only LP Gas hose complies with AS/NZS1869. The appliance required a 'Class C' LP Gas hose, with a ¼" BSPF threaded swivel nut with 60° inverted flare connected to the gas inlet of the appliance. The hose should be secured to the regulator and the appliance with spanner. Use the hose with the right threads, DO NOT use adaptors.

**WARNING! It may hazardous to use wrong type of hose.**

The life expectancy of the hose is estimated as 5 years. It is recommended that it the hose is changed every 5 years.

The use of the wrong hose is unsafe; always check that you have the correct items before operating the stove.

The hose used must conform to the relevant standard for the country of use. The length of the hose must not excess 1.5 metres (maximum). Worn or damaged hose must be replaced. Ensure that the hose is not obstructed, kinked, or in contact with any part of the stove other than at its connection.

**WARNING! It may hazardous to use a damaged hose.**

**Regulator**

Use only LP Gas regulator complies with AS4621. The appliance must be used with a LOW pressure regulator with output pressure of 2.75kPa. Use the regulator with the right threads. DO NOT use adaptors.

WARNING! It may hazardous to use wrong type of regulator.

**Storage of Appliance**

Always wait for the appliance cool down before attempting to transport or store. Storage of an stove for transport or indoors is only permissible if the cylinder is disconnected and removed from the appliance. When the appliance is not to be used for a period of time it should be stored in its original packaging and stored in a dry dust free environment.

**ASSEMBLE INSTRUCTIONS**

**CAUTIONS**

- Do not install a damaged burner. Contact your service agent or the supplier.
- Check the gas type of the burner and make sure the burner is connected to the gas type specified on the data plate.
- Before connection, ensure that there is no debris caught in the head of the gas cylinder, hose, burner and burner ports.

**Connecting the hose and regulator. Use only the hose and regulator supplied with the appliance. The maximum hose length is 1200 mm.**

Avoid twisting or kinking the flexible hose.

1. Ensure both of the appliance and gas cylinder are switched OFF.
2. Connect the regulator onto the gas cylinder.
3. Connect the ¼" BSPF thread of the hose to the gas inlet (position at the left hand side of the control valve) of the appliance with a spanner.
4. Ensure both connections are tight and secure.
5. See "HOW TO CHECK FOR GAS LEAKS" section in this instruction to check for gas leakage.
6. If gas leaks occurred, repeat procedures 1 to 6. If problem persists, contact your dealer or AUSTCROWN for advice. DO NOT ATTEMPT TO REPAIR THE APPLIANCE YOURSELF.

## **HOW TO USE**

### **Lighting the burner**

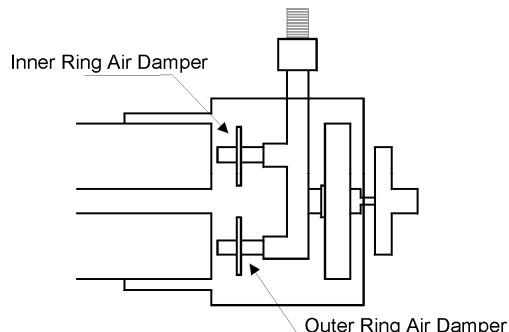
Make sure the control knob is at the OFF position. Turn on the main gas valve of the gas cylinder at full. Turn the control knob counter-clockwise until a “click” sound is heard. Make sure the burner has been lit properly.

### **Adjusting the airflow**

It may need to adjust the aeration shutter to get the best flame (a slightly rounded and vigorous blue flame). The aeration shutter is located directly under the manifold cover.

### **Controlling the flames**

Turn the control knob to adjust the strength of the flame. Turn counter-clockwise for higher flame, and turn clockwise for lower flame.



### **Turning off the burner**

After use, turn the gas cylinder valve off, wait for the flame to go out, then turn the appliance control off.

Turn the control knob back to the OFF position until a “click” sound is heard.

Disconnect the appliance from the cylinder when the appliance is not in use.

Do not move the appliance during operation.

## **ANCILLARY SERVICE INFORMATION. NO NOT MODIFY THIS APPLIANCE**

### **MAINTENANCE**

- Do not move the appliance or attempt any maintenance within 30 minutes of cooker being used.
- Burner ports may be cleaned with either compressed air or pipe cleaner or similar device.
- Any spiders' webs formed in the burner inlet (venturi) must be cleared with a pipe cleaner or similar length device. Caution: Operation of the burner with a web in the inlet may result in leakage and/or ignition of gas at the burner inlet.
- It is also recommended that the hose assembly and regulator inlet fitting seals be checked for damage, abrasion, cracking or displacement before each use. PVC hose assemblies may harden with age and should be replaced if this occurs. If a replacement part or assembly is required please contact place of purchase or an authorised agent for advice.
- Periodic service should be performed at intervals not exceeding 6 months by an authorised service agent or more often if required
- Keep the cooker clean regularly by wiping with a damp cloth.
- Before checking and maintaining the cooker, make sure the main gas valve is turned off.
- Make sure the burner head(s) is/are clean before using the cooker. Use a steel wire brush to clean the burner if it is heavily clogged. If the burner is heavily clogged, do not use the unit. Contact your authorised plumber or gas fitter to carry for cleaning and maintenance. Do not attempt to remove the burner unit(s) yourself.
- Check the gas hose regularly for wear or leaks. If any wear or leaks are presents, please contact an authorised plumber / gasfitter for repair.
- Do not touch the burner, trivet, tray etc. immediately after use or when in use. This could burn your hand.
- Clean the trivet and tray after each use. Always wipe off spills, do not leave spills to dry on the surface of the trivet, tray or burner.
- Inspect the electrodes carefully after you have removed the tray receptacle and if soiled, clean with a dry cloth.



## **ABNORMAL OPERATION**

You should cease using the appliance and seek service from an authorised agent if any of the following are observed during operation of the appliance:

- Carbon build up on the appliance or pans,
- Excessive yellow tipping of the burner flame,
- Flames lifting off the burner ports or flashing back.

Flame abnormality may be due to gas supply restriction or blockage of burner ports or venturi. Gas spillage may occur if the burner inlet is partially blocked by a spider's web the gas may ignite around the burner inlet.

It is recommended that an authorised person/service agent perform all maintenance.

If the cooker fails to operate correctly, contact place of purchase or authorised agent for advice and service.

**DO NOT ATTEMPT REPAIRS YOURSELF.**

## **CONVERSION**

This cooker is suitable for use with propane gas (LP) only and may not be converted for use on any other type of gas. For further advice, contact place of purchase or their authorised agent for advice.

## **TROUBLE-SHOOTING GUIDE**

PROBLEM	POSSIBLE CAUSE	SOLUTION
No Ignition	Main gas valve is not turned on. Air is trapped in the flexible hose. Electronic ignition is wet or dirty.	Turn off the gas valve and then turn it on fully. Gas cylinder may be empty.  Repeat igniting until all air is purged out completely.  Clean and wipe electrodes with a dry cloth.
Smell of gas	Hose & regulator are incorrectly installed Failure of the gas valve.	The burner must be installed by a licensed gas plumber.  Contact the dealer for a service/repair. <b>DO NOT ATTEMPT TO REPAIR THE BURNER YOURSELF.</b>
Abnormal Combustion	Aeration shutter is not properly adjusted. Flame outlets of the burner are clogged. Nozzle is clogged.	Follow procedures of Adjusting the Air Flow.  Clean the clogged outlets.  Contact the dealer for a service/repair. <b>DO NOT ATTEMPT TO REPAIR THE BURNER YOURSELF.</b>

**SPECIFICATIONS** I.R. = Inner Ring O.R. = Outer Ring

Model	RBC-225 LP	RBC-176 LP
Product Name	2 Ring Burner with Piezo Ignition	2 Ring Burner with Piezo Ignition
Heat Capacity	32 MJ/hr	25 MJ/hr
Nozzle Size $\varnothing$	I.R. = 0.75mm O.R. = 1.30mm	I.R. = 0.65mm O.R. = 1.20mm
Net Weight	7.50 kg	5.16 kg
Burner Size $\varnothing$	225mm	176mm
Gas Type	Propane	
Gas Pressure	2.75 kPa	
Ignition System	Piezo Electric	
Fitting	¼" BSPM 60° Coned	
Approval No	IAPMO Oceana GasMark: GMK10042 AS 2658-2008	
Country of Origin	China	

N/B. Austcrown is continuously innovating new products and improving current products to suit every kitchen and lifestyle. As a result, technical specifications are subject to change without prior notice.  
Service and spare parts can be obtained from;

**SERVICE AGENT**

Progress Plumbing & Gas Maintenance  
16 Raymond Street  
BLACKBURN VIC 3130  
Ph: 9878 5845  
Mobile: 0418 379 252



Shop online: [www.auscrown.com](http://www.auscrown.com)

Auscrown Pty. Ltd. 18 / 634 Mitcham Road, VERMONT VIC 3133 Fax: (03) 9873 5811 Email: [info@auscrown.com](mailto:info@auscrown.com)

**WARRANTY** Manufacturer Copy

Please complete and post back. Thank you!

NAME: \_\_\_\_\_ EMAIL: \_\_\_\_\_

ADDRESS: \_\_\_\_\_

PHONE: \_\_\_\_\_ DATE PURCHASED: \_\_\_\_\_

DEALER NAME: \_\_\_\_\_

MODEL NO.: \_\_\_\_\_ SERIAL NO.: \_\_\_\_\_



Shop online: [www.auscrown.com](http://www.auscrown.com)

Customer Copy

**WARRANTY**

MODEL NO.: \_\_\_\_\_ SERIAL NO.: \_\_\_\_\_

DOMESTIC USE - 12 MONTHS WARRANTY COMMERCIAL USE - 3 MONTHS WARRANTY

We hereby warrant that the above appliance is free from manufacturing defects in material and workmanship and will repair or replace at our option at our designated service points without charge within warranty period from the date of purchase any part or parts which in our judgment shall be a manufacturing defect. This certificate and the purchase invoice must be presented for any warranty claim. This warranty becomes void if the appliance has been misused or tampered with by unauthorised personnel.

To validate this warranty the attached registration form must be completed and returned to us within 20 days from the date of purchase. Our goods come with guarantees that cannot be excluded under the Australian Consumer Law. You are entitled to a replacement or refund for a major failure and for the compensation for any other reasonably foreseeable loss or damage. You are also entitled to have the goods repaired or replaced if the goods fail to be of acceptable quality and the failure does not amount to a major failure.

Warranty repairs are free of charge, provided the product is delivered to our Service Department at 18/634 Mitcham Road, Vermont VIC 3133 or to one of our Authorised Service Agents. All costs with returning the goods is the responsibility of the purchaser in accordance with the Australian Consumer Law. We recommend registering and taking transit insurance on your returned goods, as we cannot be responsible for the goods until it is signed and received into our designated service point. Austcrown Pty Ltd will not be responsible for any in-transit loss or damage. The product being returned must be adequately protected in a box. If no fault is found the product will be returned and any costs associated with the service will be charged to the owner.

This warranty is not transferable to a subsequent purchaser if the product is sold by the original purchaser during the warranty period. If a warranty fault appears within the warranty period, Austcrown Pty Ltd reserves the right to replace or repair the product. In the event that Austcrown Pty Ltd chooses to replace the product, this original warranty will expire at the original date. If the product includes various accessories or components, only the defective accessory or component will be replaced or repaired. Austcrown Pty Ltd reserves the right to replace defective parts of the product with parts and components of similar quality, grade and composition where an identical part or component is not available. Products presented for repair may be replaced by refurbished products of the same type rather than being repaired. Refurbished parts may be used to repair the products.

This warranty does not apply to any defect, deterioration, loss, injury or damage occasioned by or as a result of misuse or abuse, negligent handling or storage, normal wear and tear or if the product has not been installed and used in accordance with Austcrown's instructions, recommendations and specifications or if the product has been subjected to abnormal conditions. The warranty does not apply to blockages caused by insects or living organisms. The warranty does not extend to installation or disconnection costs.

**For warranty claims, service, spare parts or products information, first contact Austcrown Pty Ltd**

18/ 634 Mitcham Road VERMONT VIC 3133 Australia Website: [www.auscrown.com](http://www.auscrown.com)

Email: [info@auscrown.com](mailto:info@auscrown.com) Phone: 03 9873 5811

A receipt or proof of purchase is required and must be kept for your records.

DEALER NAME: \_\_\_\_\_ DATE PURCHASED: \_\_\_\_\_

Please keep this section for warranty services.

PLEASE  
AFFIX  
STAMP

Auscrown Pty Ltd.  
18 / 634 Mitcham Road  
VERMONT VIC 3133  
AUSTRALIA



For services & enquiries, please contact:

**Auscrown Pty Ltd**

18 / 634 Mitcham Road

VERMONT VIC 3133

AUSTRALIA

Ph: (03) 9873 5811

Fax: (03) 9873 5311

Email: [info@auscrown.com](mailto:info@auscrown.com)

Shop online: [www.auscrown.com](http://www.auscrown.com)